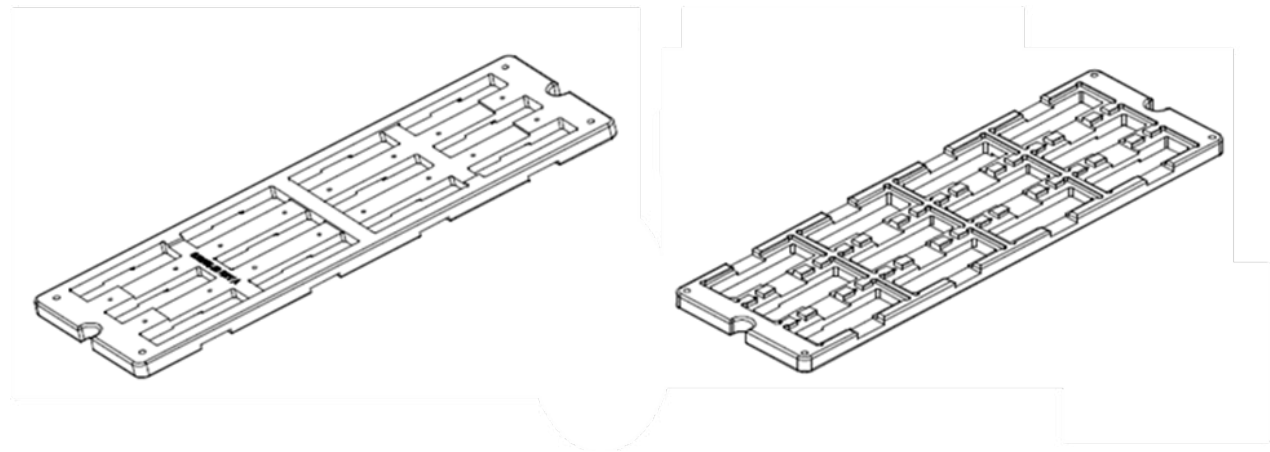


# CodeLink™ Universal Shaker Kit (310031)

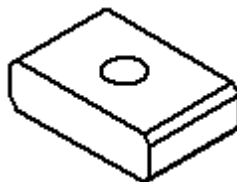
---

Part #	Description	Qty Ea
600035	Universal Shaker Tray	1
600036	Flex Chamber Spacer for Universal Shaker Tray	18
600007	New Brunswick Innova 4080, 18"x18" Universal Platform	1
600018	Post, 1/2 inch, Threaded, Shaker	2
600032	Port Sealing Tool	1

**Universal Shaker Tray (600035):** A “universal” shaker tray that accommodates 12 standard 1x3” single assay arrays on one side and 16-Assay chambers on the other side. Each s



**Flex Chamber Spacer for Universal Shaker Tray (600036):** A small adapter square to create a secure fit for multi-assay chambers.



**New Brunswick Innova 4080, 18" x 18" Universal Platform (600007):** The Universal Platform is an 18" by 18" shaker tray that has standard mounting holes to accommodate a variety of accessories. With the CodeLink system, two Posts are secured to a pair of holes such that the Universal Shaker tray fits snugly in place. The picture below is for demonstration only. The kit includes only the dark grey tray, no additional accessories are included.



**Post, 1/2 inch, Threaded, Shaker I (600018):** A pair of threaded posts attached to a Universal Platform enable a secure fit for Universal Shaker Trays

Threaded portion at bottom allows attachment to the shaker platform.



**Port Sealing Tool (600032):** This is a rod designed to ensure sealing by customers as they press applied sealing strips to the ports of a filled flex chamber just prior to hybridization.

